

Box-Vans **Debon**



info@debon-trailers.com

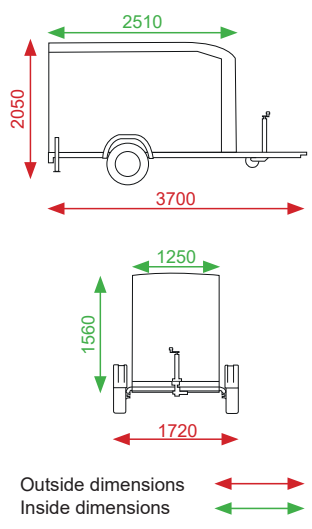
www.debontrailers.com





Box-Vans
Debon

ROADSTER
255



- Single axle braked 1300kg
- Galvanised steel chassis with aluminium extrusion framework
- Roof and front one solid fiberglass part
- Plywood side walls
- Anti slip multiplex floor
- Shockproof ABS mudguards
- Automatic jockey wheel with manoeuvring handle
- Aluminium two-way rear opening door/ramp
- Protected lights
- Tie-rings x4
- Interior light
- 2 prop stands
- Wheel chocks

- OPTIONALS**
- Aluminium side walls
 - Lateral door
 - Shock absorbers



Unladen weight = 370 kg
Max. gross weight = 750 to 1300 kg



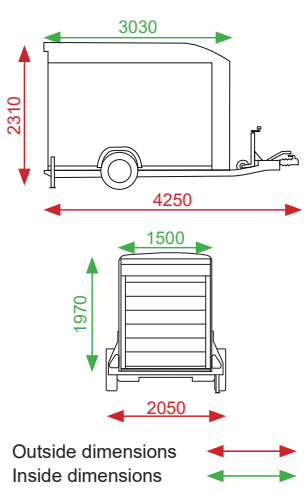


Box-Vans
Debon

ROADSTER
300



PULLMAN 2
performance



- Single axle braked 1300kg
- Pullman 2 Suspension (Low chassis and galvanised suspension system)
- Galvanised steel chassis with aluminium extrusion framework
- Roof and front one solid fiberglass part
- Plywood side walls
- Anti slip multiplex floor
- Shockproof ABS mudguards
- Automatic jockey wheel with manoeuvring handle
- Aluminium two-way rear opening door/ramp
- Protected lights
- 2 prop stands
- Tie-rings x4
- Interior light
- Wheel chocks

OPTIONALS

- Aluminium side walls
- Sandwich side walls + lateral flap
- Lateral door



Unladen weight = 460 kg
Max. gross weight = 750 to 1300 kg

Colors

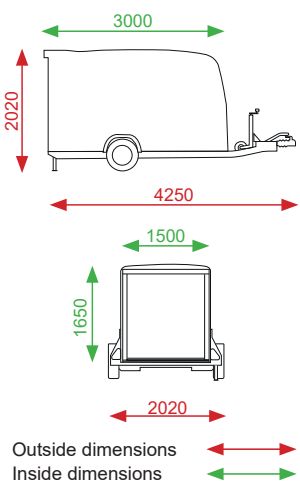




Box-Vans
Debon
CARGO
1300



PULLMAN 2
performance



- Single axle braked 1300kg
- Pullman 2 Suspension (Low chassis and galvanised suspension system)
- Galvanised steel chassis with aluminium extrusion framework
- Total height 2,05m (fits in the average garage)
- Fiberglass bodywork
- Anti slip multiplex floor
- Skockproof ABS mudguards
- Automatic jockey wheel with manoeuvring handle
- Aluminium two-way rear opening door/ramp
- Protected lights
- 2 prop stands
- Tie-rings x4
- Interior light
- Wheel chocks

OPTIONALS

- Lateral door



Unladen weight = 445 kg
 Max. gross weight = 750 to 1300 kg

Colors



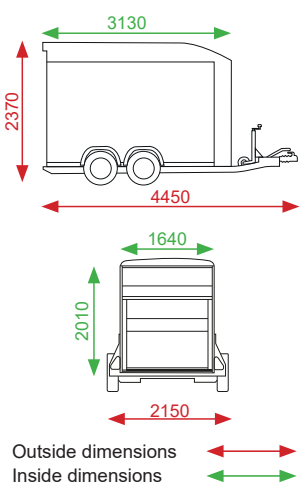


Box-Vans
Debon

ROADSTER
500



PULLMAN 2
performance



- Tandem-axle braked
- Pullman 2 Suspension (Low chassis and galvanised suspension system)
- Galvanised steel chassis with aluminium extrusion framework
- Roof and front one solid fiberglass part
- Plywood side walls
- Anti slip aluminium floor, 5 years warranty
- Shockproof ABS mudguards
- Automatic jockey wheel with manoeuvring handle
- Aluminium two-way rear opening door/ramp
- Protected lights
- Tie-rings x6
- Interior light
- Wheel chocks

OPTIONALS

- Aluminium side walls
- Sandwich side walls + lateral flap
- Lateral door



Unladen weight = 625 kg
Max. gross weight = 1100 to 2000 kg

Colors



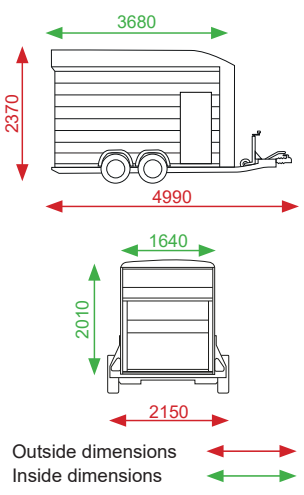


Box-Vans
Debon

ROADSTER
500
XL



PULLMAN 2
performance



- Tandem-axle braked
- Pullman 2 Suspension (Low chassis and galvanised suspension system)
- Galvanised steel chassis with aluminium extrusion framework
- Roof and front one solid fiberglass part
- Anti slip aluminium floor
- Aluminium side walls, 5 years warranty
- Shockproof ABS mudguards
- Automatic jockey wheel with manoeuvring handle
- Aluminium two-way rear opening door/ramp
- Protected lights
- Tie-rings x6
- Interior light
- Wheel chocks
- Lateral door

Aluline **5 YEARS WARRANTY**
5 years warranty on aluminium parts



Unladen weight = 655 kg
Max. gross weight = 1400 to 2600 kg

Colors



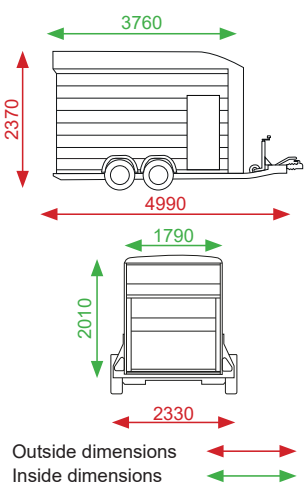


Box-Vans
Debon

ROADSTER
700



PULLMAN 2
performance



- Tandem-axle braked
- Pullman 2 Suspension (Low chassis and galvanised suspension system)
- Galvanised steel chassis with aluminium extrusion framework
- Roof and front one solid fiberglass part
- Anti slip aluminium floor
- Aluminium side walls, 5 years warranty
- Shockproof ABS mudguards
- Automatic jockey wheel with manoeuvring handle
- Aluminium two-way rear opening door/ramp
- Protected lights
- Tie-rings x8
- Interior light
- Wheel chocks
- Lateral door

Aluline **5 YEARS WARRANTY**
5 years warranty on aluminium parts



Unladen weight = 705 kg
Max. gross weight = 1400 to 2600 kg



CONSTRUCTION



Lateral door
Roadster 255, Roadster 300, Cargo 1300 and Roadster 500



Lateral flap
Roadster 300 and Roadster 500

LATERAL FLAP



Frame inside
Cargo 1300



Alu rims 14'
All, except C255



Spare wheel + bracket
All

ACCESSOIRES



Loading ramps
2000 kg capacity
3000 kg capacity



Galvanised steady stand



Safety lock



Additional security lock



Interior fittings
Upon request, for further information contact your local Debon dealer

January 2021 - Non-binding documents

info@debon-trailers.com
www.debontrailers.com



Your dealer